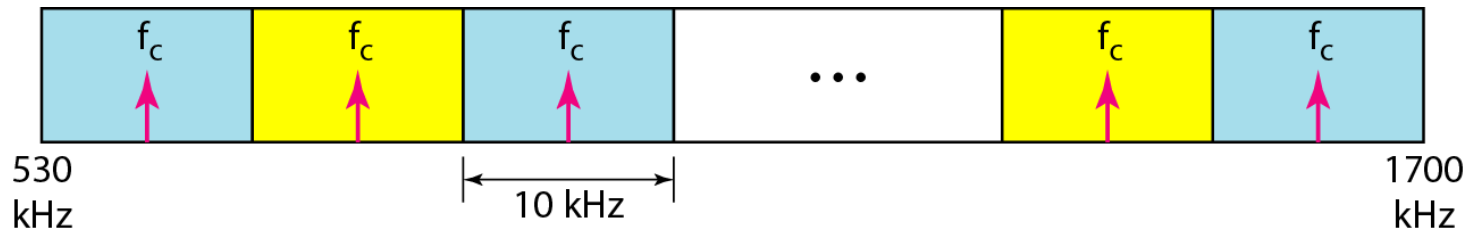




Note

**The total bandwidth required for AM
can be determined
from the bandwidth of the audio
signal: $B_{AM} = 2B$.**

Figure 5.17 *AM band allocation*





Note

The total bandwidth required for FM can be determined from the bandwidth of the audio signal: $B_{FM} = 2(1 + \beta)B$.

Figure 5.18 *Frequency modulation*

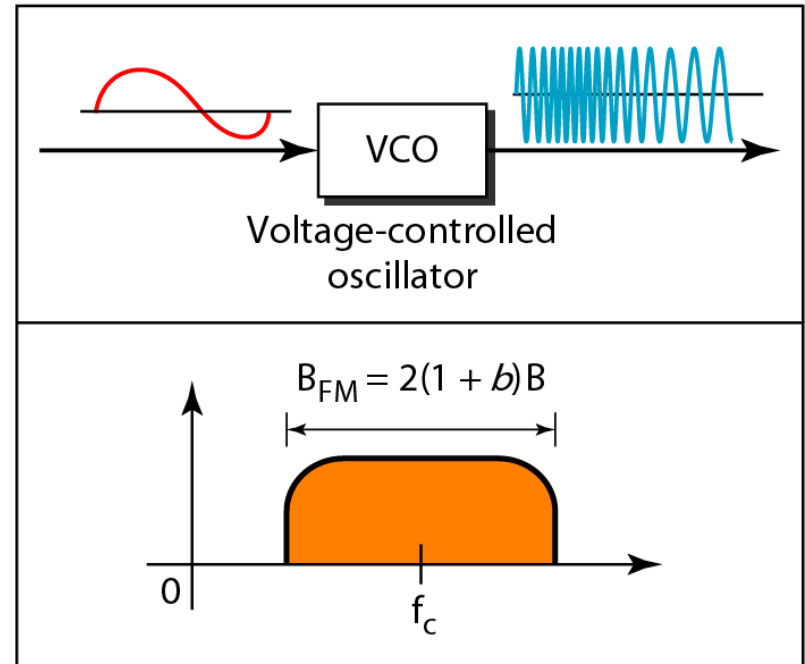
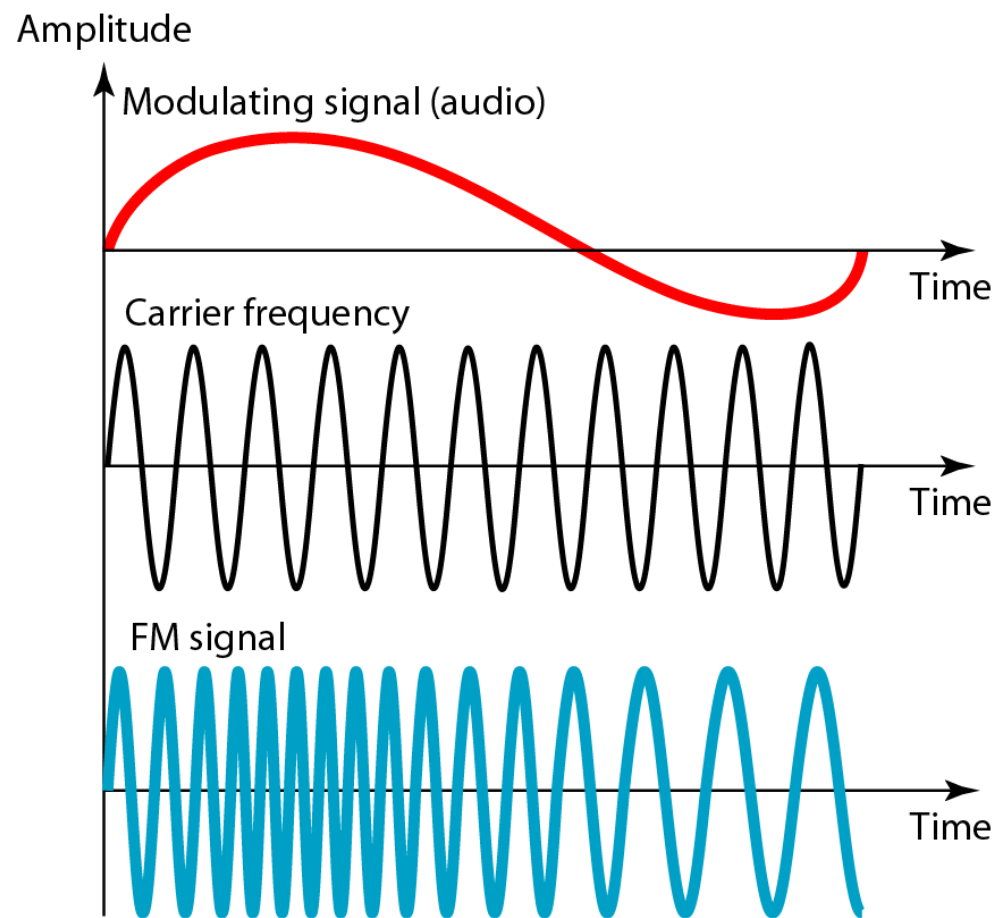


Figure 5.19 *FM band allocation*

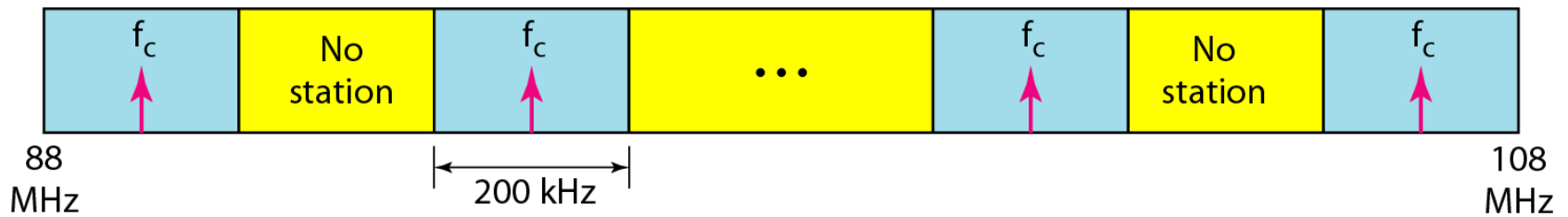
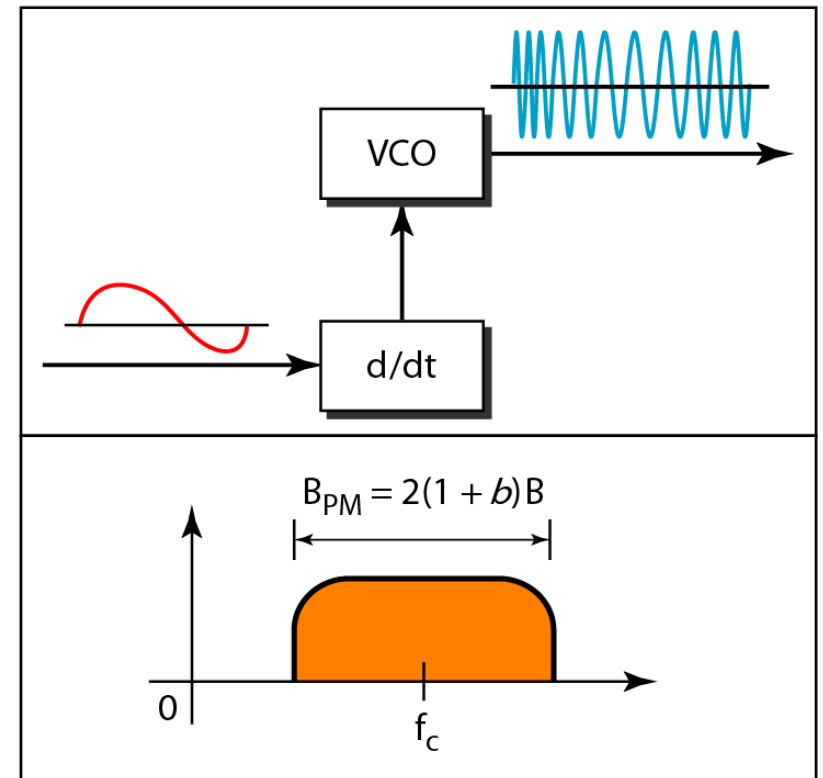
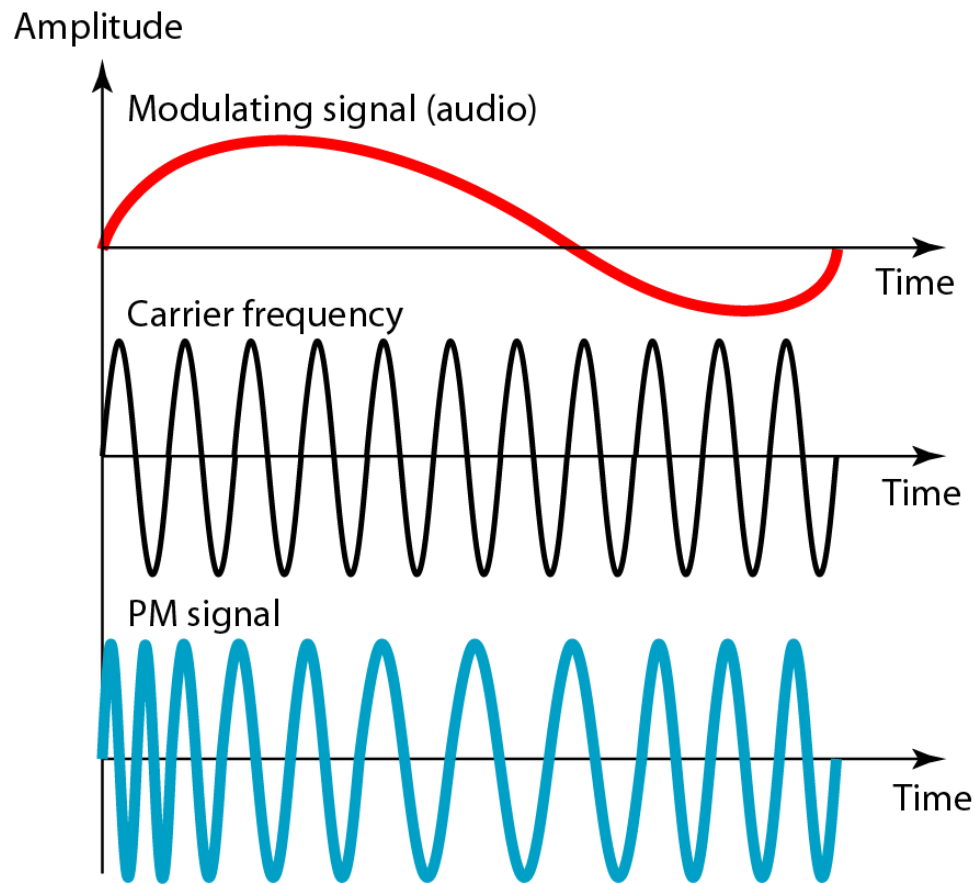


Figure 5.20 *Phase modulation*





Note

The total bandwidth required for PM can be determined from the bandwidth and maximum amplitude of the modulating signal:

$$B_{PM} = 2(1 + \beta)B.$$